

UNDER COUNTER FREEZER MODEL CF1200SD & CF1500SD

FSM U Series Under Counter models offer two door freezer compartments, ergonomic handles, premium compressor/evaporator components, high density insulation and electronic control panel and temperature control, Ideal where space is at a premium, with convenient castors, magnetic door closers and proven high performance.

Features include:

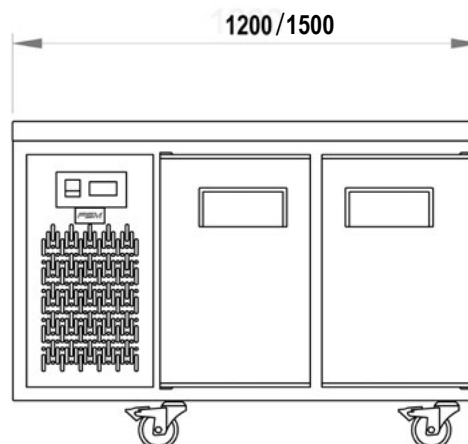
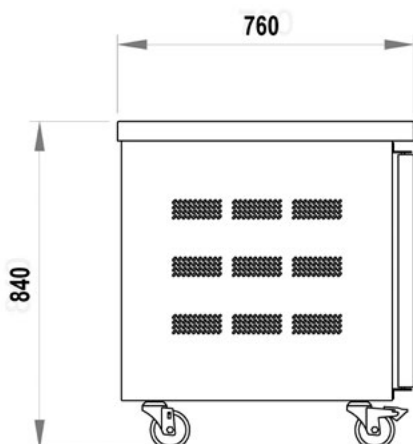
- ▶ High density polyurethane foam insulation.
- ▶ Stainless Steel exterior and interior.
- ▶ Magnetic closing doors with large flush ergonomic handles
- ▶ High output fan cooling system.
- ▶ Auto-defrosting and digital controller.
- ▶ Self-evaporating drainage system.
- ▶ Door gaskets are easily replaceable.
- ▶ Durable PVC coated shelves and internal round corner edges for easy cleaning.
- ▶ Freezer temp range: -10°C to -18°C.
- ▶ 404A Refrigerant.
- ▶ Ambient temperature rated 36°C.
- ▶ Supplied with 100mm dia. castors and 10amp plug.



MODEL	DIMENSIONS EXTERNAL (mm)	DIMENSIONS INTERNAL (mm)	GROSS VOLUME	REFRIGERANT	TEMP RANGE °C	WATTS/AMPS	NET WEIGHT	TEMP CONTROL	No. SHELVES	\$
CF1500SD	1500 x 760 x 840	1051x 635 x 584	387L	R404A 470g	-10 to -18	700W 4.5A	102 Kg	DIGITAL	4	3331

Special*

\$1,890+GST



*whilst stocks last. Subject to availability and FSM standard T&CS. Delivery to Brisbane Metro only